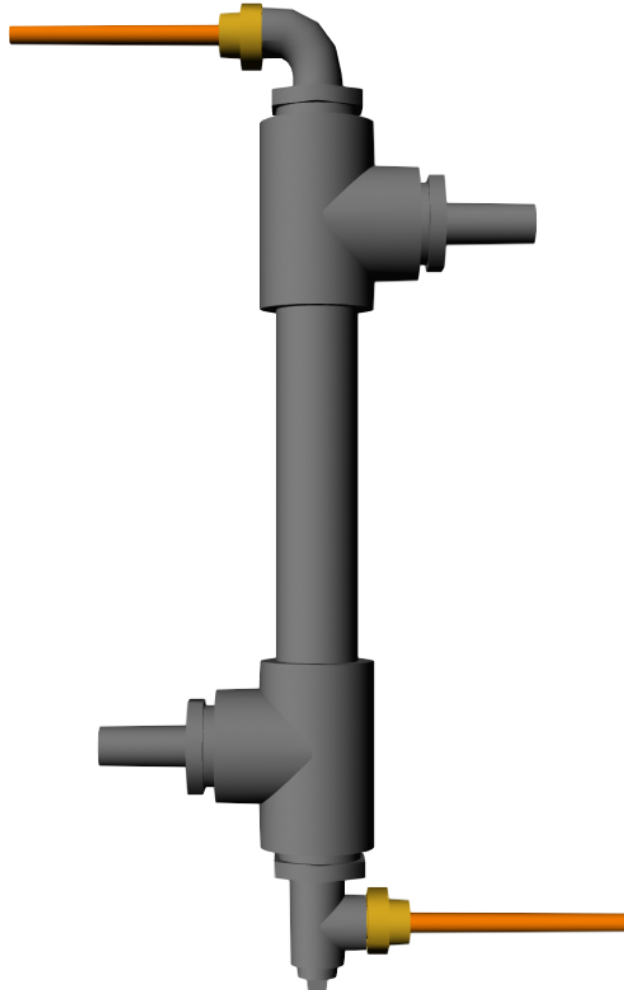


GEET AUSTRALIA

Supplementary ADDENDUM to the
GEET Small Engine Plans 10HP to 20HP



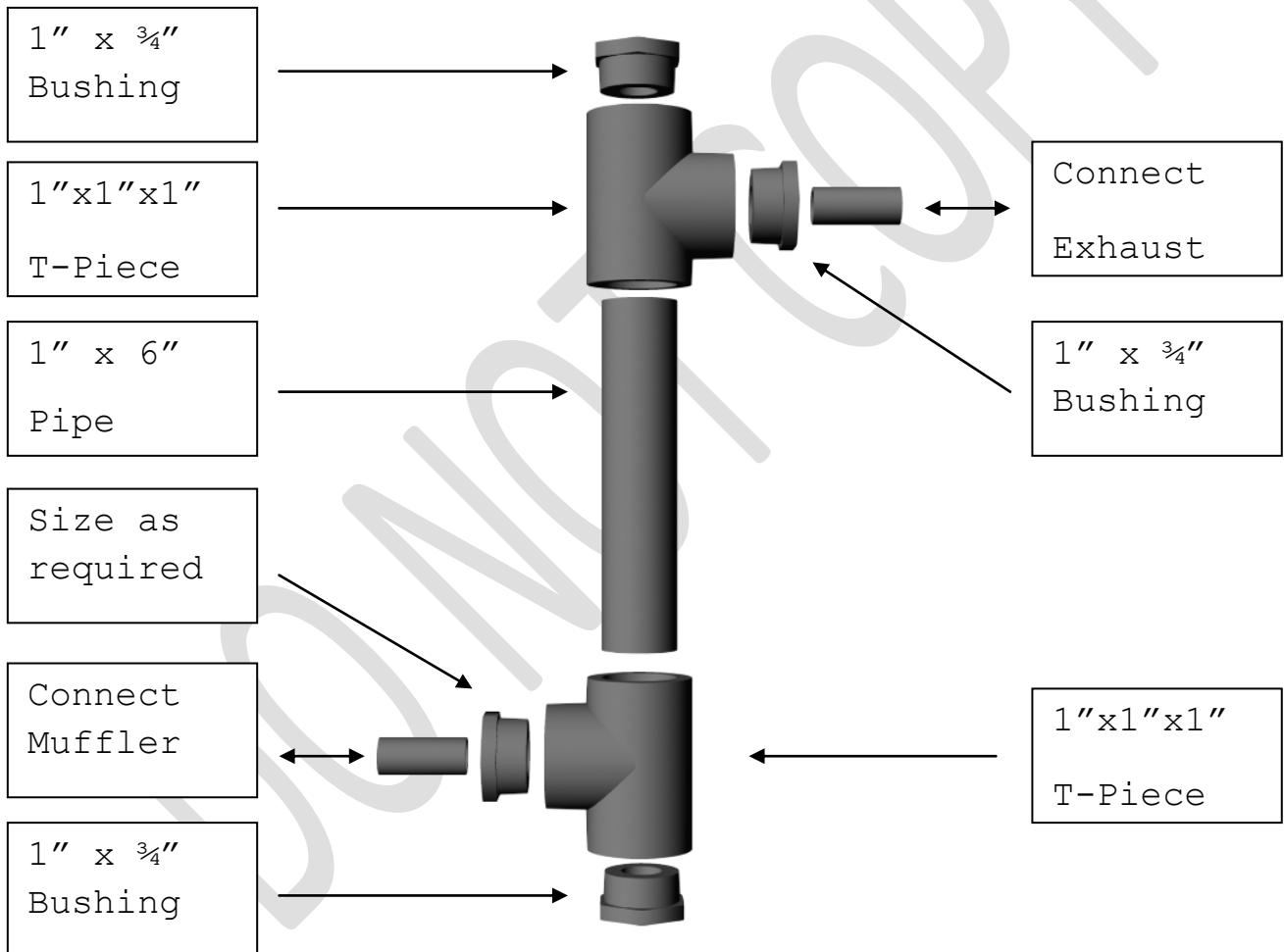
CONFIDENTIAL

The information contained within is © Copyright 1998 Paul Pantone. All Rights Reserved - GEET International Institute. No part of this information may be duplicated, copied, re-sold or shared in any way. Purchase of these plans constitutes a single user license for personal research and development ONLY. Drawings © Copyright 2013 Adrian Asfar, GEET Australia. For more Information contact geet.australia@yahoo.com

Date of ISSUE: 27th JULY 2013

GEET REACTOR

Exhaust Components



CONFIDENTIAL

No part of this information may be duplicated, copied, re-sold or shared in any way. Purchase of these plans constitutes a single user license for personal research and development ONLY.

Drawing Number: GSEP-2

Configuration : Vertical / Gasoline

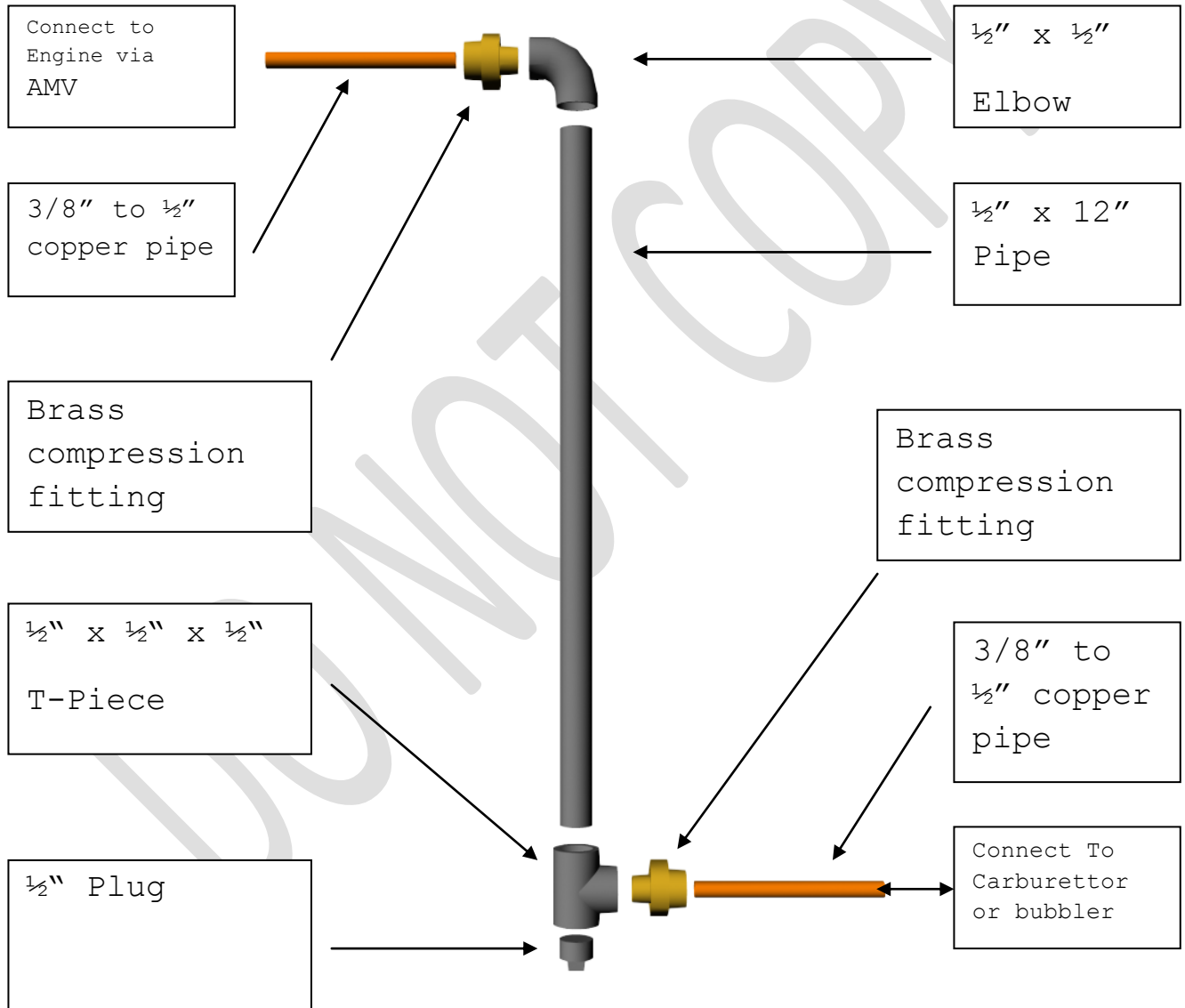
Date of Issue : 27th July 2013

Contact Email : geet.australia@yahoo.com

Page : 2 of 5

GEET REACTOR

Fuel Pipe Components



CONFIDENTIAL

No part of this information may be duplicated, copied, re-sold or shared in any way. Purchase of these plans constitutes a single user license for personal research and development ONLY.

Drawing Number: GSEP-3

Configuration : Vertical / Gasoline

Date of Issue : 27th July 2013

Contact Email : geet.australia@yahoo.com

Page : 3 of 5

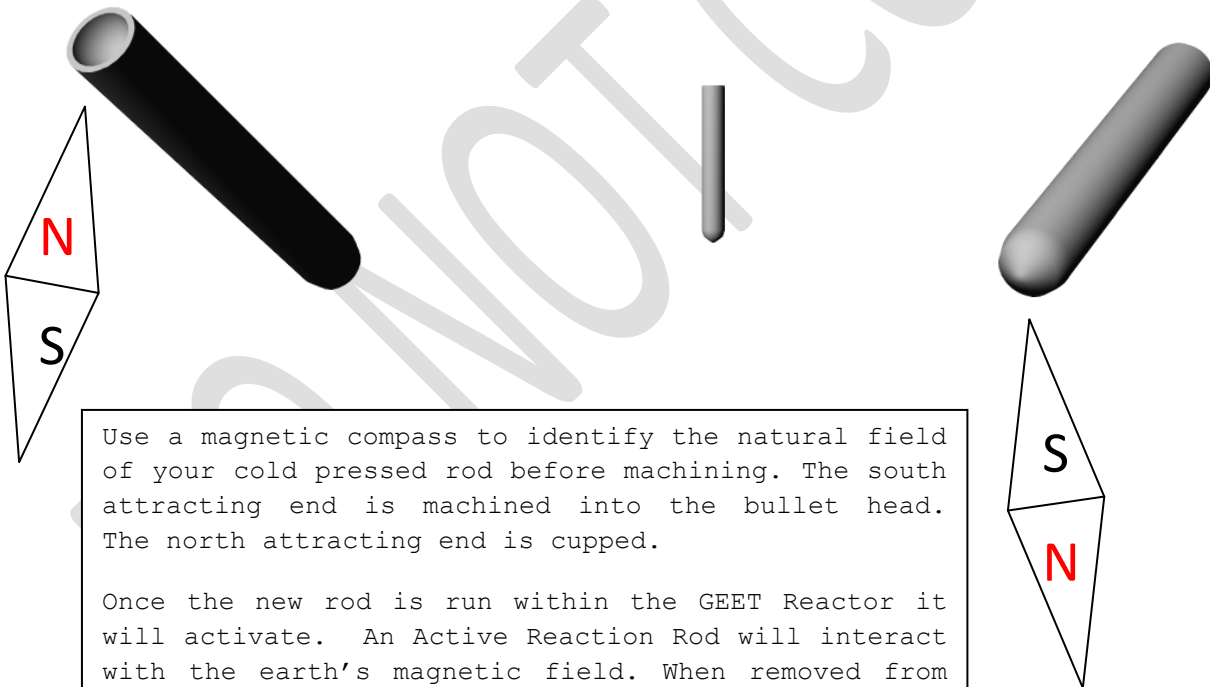
GEET REACTOR

Reaction Rod

7/16" x 4(1/8)"

Cupped on North (Up)

Bullet Head South (Down)



Use a magnetic compass to identify the natural field of your cold pressed rod before machining. The south attracting end is machined into the bullet head. The north attracting end is cupped.

Once the new rod is run within the GEET Reactor it will activate. An Active Reaction Rod will interact with the earth's magnetic field. When removed from the GEET Reactor and held vertically, the activated Reaction Rod will attract North at the top and South at the bottom, regardless of if the bullet or cup is pointing Up. North is always attracted to the top.

CONFIDENTIAL

No part of this information may be duplicated, copied, re-sold or shared in any way. Purchase of these plans constitutes a single user license for personal research and development ONLY.

Drawing Number: GSEP-4

Configuration : Vertical / Gasoline

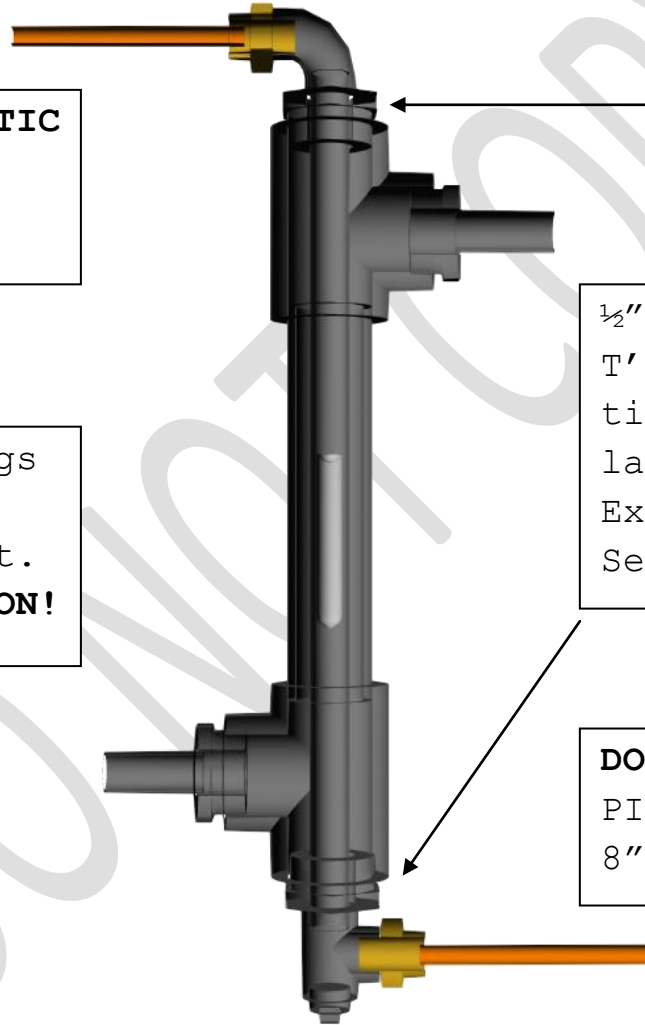
Date of Issue : 27th July 2013

Contact Email : geet.australia@yahoo.com

Page : 4 of 5

GEET REACTOR

X-Sectional View Components Assembly



**DO NOT USE PLASTIC
PIPE/HOSE!**

HOT GASSES.

Seal all fittings
with RED RTV
manifold sealant.
DO NOT USE TEFLON!

1/2" Elbow and 1/2"
T's will screw on
tight against
large 1" T's of
Exhaust Assembly.
Seal with RED RTV.

**DO NOT USE PLASTIC
PIPE/HOSE** within
8" of the Intake.

CONFIDENTIAL

No part of this information may be duplicated, copied, re-sold or shared in any way. Purchase of these plans constitutes a single user license for personal research and development ONLY.

Drawing Number: GSEP-5

Configuration : Vertical / Gasoline

Date of Issue : 27th July 2013

Contact Email : geet.australia@yahoo.com

Page : 5 of 5